



Fantasia ★ Elite ★

**OWNERS INSTRUCTION
MANUAL**

132CM/52"

Prima

**INSTALLATION
OPERATION
MAINTENANCE**

CAUTION

**READ INSTRUCTIONS CAREFULLY FOR SAFE
INSTALLATION AND FAN OPERATION. IF UNSURE CONSULT
A QUALIFIED ELECTRICIAN**

**SUITABLE FOR 230V/50 CYCLE ELECTRICAL SUPPLY
Enquiries on installing your fan please call our help line on**

01959-564440

**E-mail :
technical@fantasiaceilingfans.com**

 **Fantasia**  **Fantasia**  **Fantasia**  **Fantasia**  **Fantasia**  **Fantasia**  **Fantasia**  **Fantasia**

▪ **IMPORTANT NOTES :**

Please minimise risk of electrical shock by switching off electricity supply at the main circuit breaker. And read the following point carefully.

1. To ensure the success of the installation be sure to read the instructions and study the diagrams thoroughly before commencing.
2. All electrical work should only be undertaken after disconnection of the power by removing fuses or turning off the circuit breaker to ensure all pole isolation of the electrical supply. If you are in any doubt the services of a qualified electrician should be sought to ensure that all work is carried out in accordance with the I.E.E. Regulations, current good practice and other national and local electrical codes.
3. Make sure that your installation site will not allow the rotating fan blades to come into contact with any object and that there is a minimum clearance of 150mm (6") from the blade tip to the wall or ceiling. Please note that the bigger this clearance is the better the airflow from your fan will be. Ensure the blades are mounted at a minimum height of 2.3 meters (7'6") from the floor when the fan is installed.
4. The fixing point for the fan must be able to support a weight ten times that of the net weight of the fan. Net weights can be found on the bottom of the unit's box. If you are mounting the fan to a ceiling junction box, the box and it's fixing must be able to support the moving weight of the fan and must not twist or work loose.
5. The fan must be earthed.
6. Do not connect the fan motor to a dimmer switch. This may give an unsatisfactory performance (motor hum) and cause damage to the motor.
7. It is not recommended that ceiling fans and gas appliances are operated in the same room at the same time.
8. The fan must be turned off and stopped completely before reversing the fan direction. This will prevent any damage to the motor of the unit or controller (if installed).
9. Do not insert anything into the fan blades while the fan is operating. This will damage the blades and upset the balance of the unit causing the unit to wobble.
10. After the fan is completely installed make sure that all connections are secure and tight to prevent any problems.
11. Because of the fan's natural movement, some connections may loosen. Check the support connections, brackets and blade attachments twice a year to make sure they are all secure. If they are loose tighten with a screwdriver. (It is not necessary to take the fan down from the ceiling)

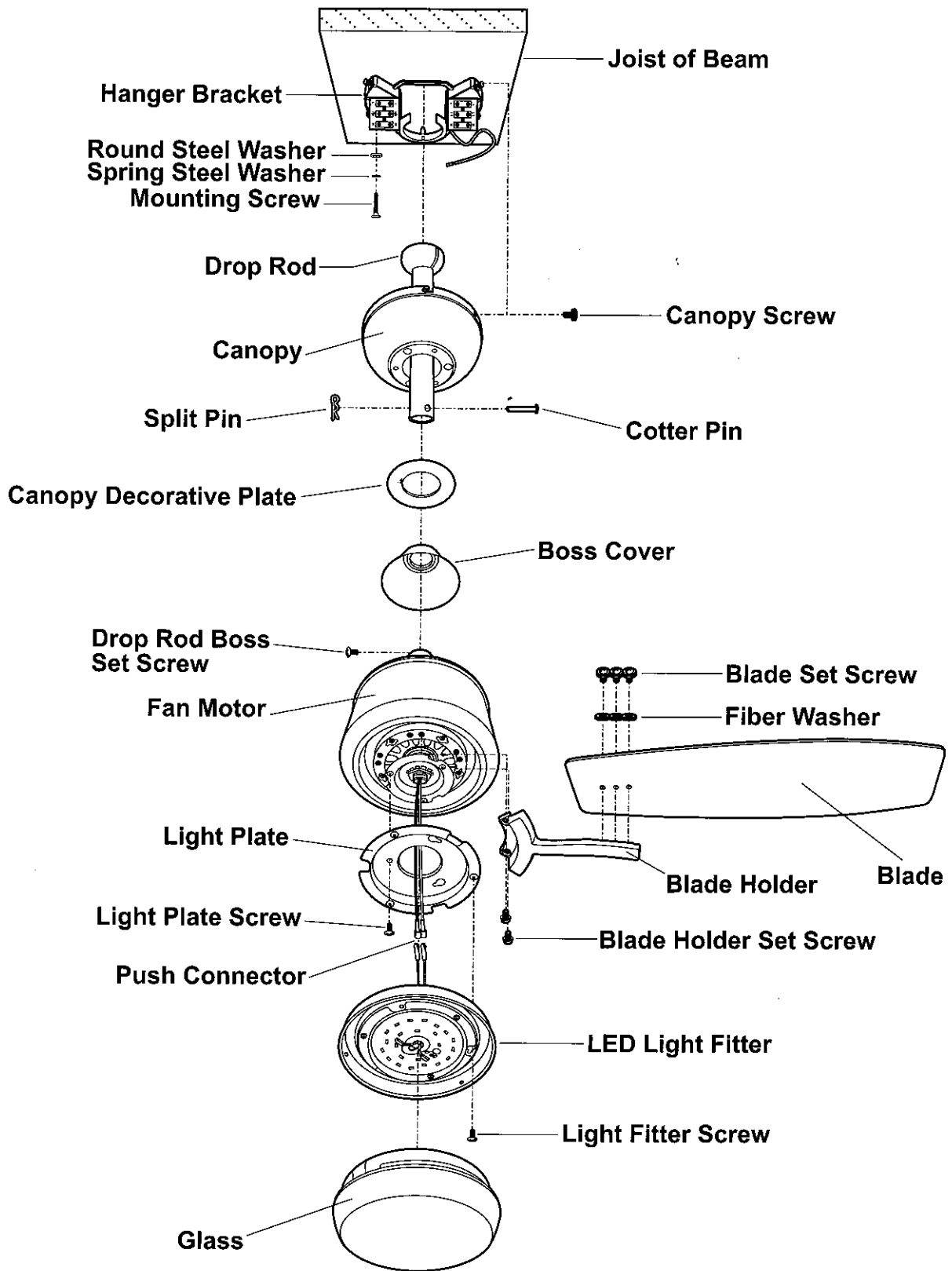
Note : The important safeguards and instructions given in this manual are not meant to cover all possible conditions and situations that may occur. It must be understood that common sense, caution and care are factors, which cannot be built into any product. These factors must be supplied by the persons caring for and using the unit.

For installation advice, or in the unlikely event of damaged or missing parts please ring:

HELP LINE : (01959) 564440

technical@fantasiaceilingfans.com

▪ PART LIST

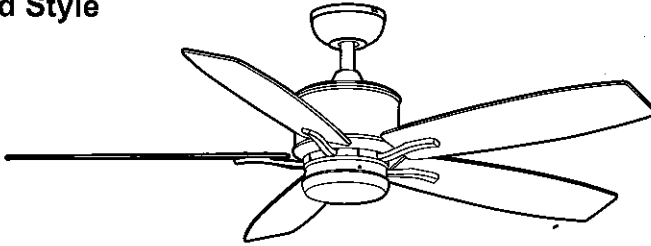


▪ Installing the fan

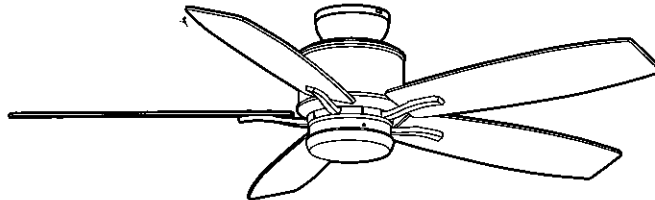
All electrical work should only be undertaken after disconnection of the power by removing fuses or turning off the circuit breaker to ensure all pole isolation of the electrical supply.

Your fan can be installed in either of two options. It can be installed as a flush mount fan (Picture B), i.e. it is mounted as close to the ceiling as possible. It can also be installed as a drop rod style of fan (Picture A). In this situation the drop rod assembly is used to lower the fan down from its mounting position slightly. Extension rods, ranging from 12" to 72" (your fan is supplied with 6" Drop rod in the box), are available if you need to lower your fan further. (This is normally the case in conservatories or rooms with very high ceilings.)

- Picture A
- Drop Rod Style



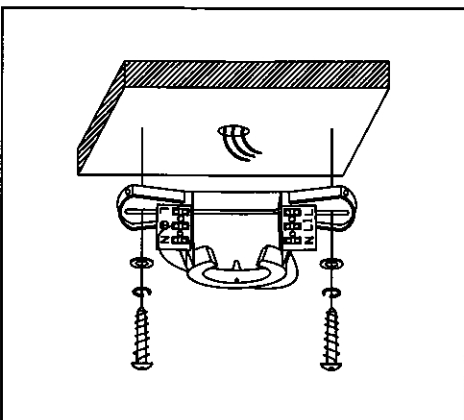
- Picture B
- Flush Mount Style



The following steps will guide you to a successful installation:

1. Hanging bracket installation
2. Down rod assembly style or flush mount assembly
3. Attaching the blades
4. Attaching the light plate and LED light fitter and glass
5. Remote Control and Wiring instructions

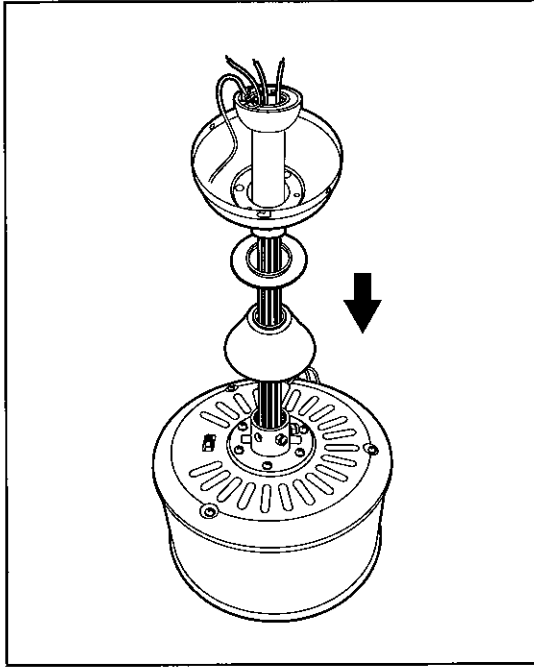
1. Hanger bracket installation



The hanger bracket should be screwed on to a firm flat surface. The fixing location must be able to withstand ten times the static weight of the fan. If you have any doubts as to the ability of your intended fixing location to be able to withstand this loading. Please contact our service help-line or another competent authority to advise you. In most situation two wood screws screwed into a wooden joist is more than adequate to support your ceiling fan. The hanger bracket should be screwed onto the joist with the two wood screws provided. The washers provided should go in the following sequence:

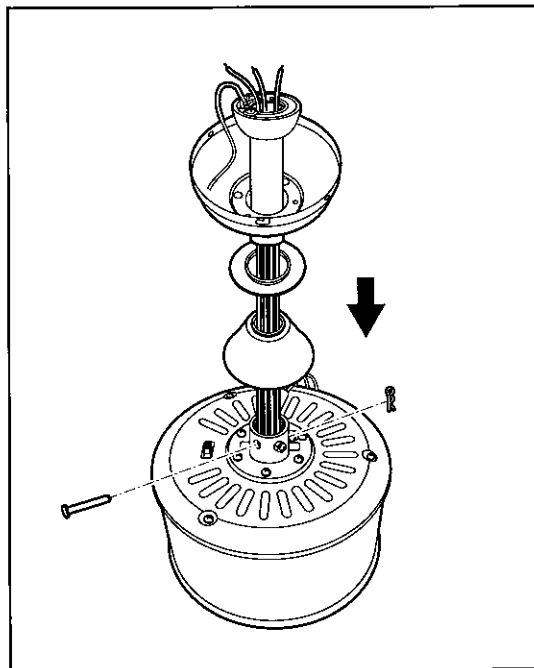
Screw head > round washer > spring washer > Hanger bracket > Ceiling. Screw the hanger bracket to the ceiling and make sure all connections are secure to prevent the fan from falling. Fixings must screw into a joist and not just the plasterboard. Loosen the two canopy screws from the hanger bracket.

2. Drop rod assembly



Remove the cotter pin and cross pin from the drop rod boss of the fan. If a longer drop rod (12" to 72" rod) is going to be used transfer the ball joint and the earth wire to the longer rod.

Put the drop rod through the flared end of the canopy and pass the electrical supply leads from the top of the motor through the drop rod and boss cover and canopy decorative plate until they exit at the top of the rod. Always ensure the rod passes through the canopy and boss cover before the rod is connected to the fan. If an extension rod longer than 18" inches is to be used, the cables will need to be extended in an appropriate way.

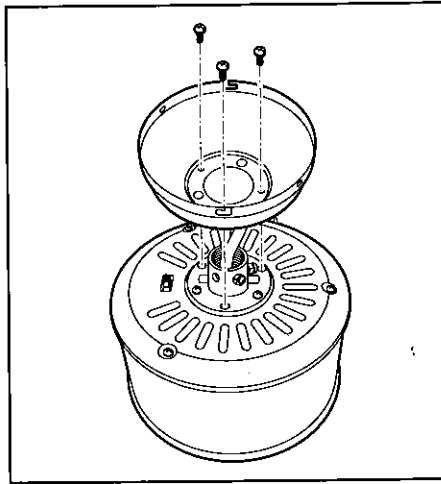
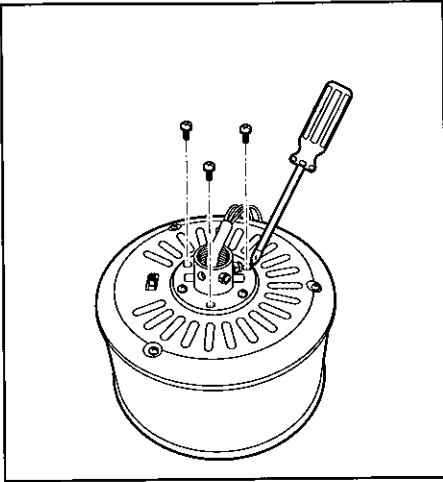


Loosen the drop rod set screws on the boss, which is on top of the motor and insert the drop rod into the drop rod boss on top of the motor casing. Turn gently to align the holes in the boss with those in the rod. Ease the split pin through the boss and the rod taking care not to pinch or damage any cables. Fix in place by replacing the cotter pin.

Tighten all set screws at this point. This prevents the rod and the fan moving in relation to one and other. It also assists in maintaining a good earth continuity through the fan, which is important to the safety of the unit.

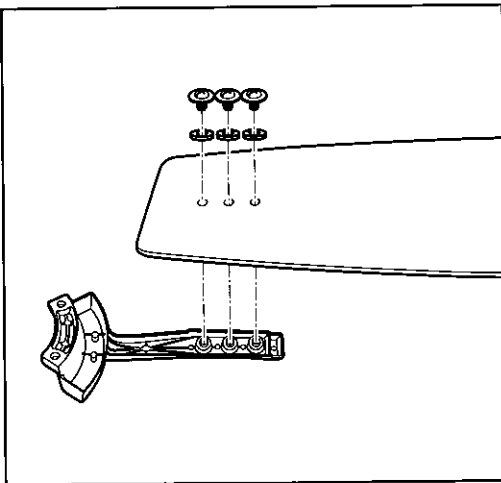
Failure to tighten the locking screws down may cause the motor to oscillate badly.

2-1 Flush mount assembly



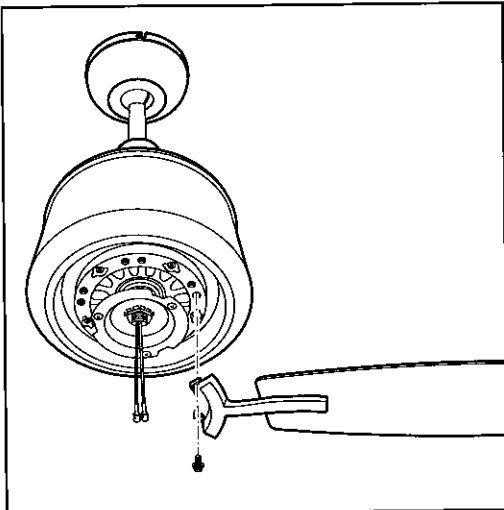
Release 3 screws from upper housing, put the canopy onto the drop rod boss of the fan. Using the 3 upper housing screws to screw the canopy tight. Please refer to the pictures .

3. Attaching the blades



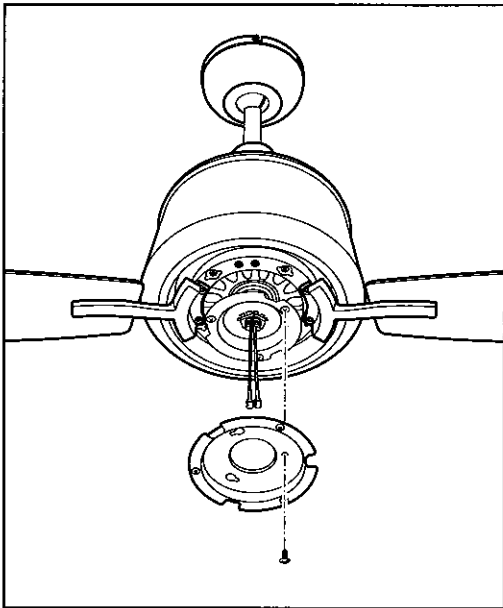
Attach the blade to the blade holder using the three blade set screws and fiber washers. Start a screw with fiber washer into the blade holder, but do not tighten. Repeat for the two remaining blade set screws and fiber washers.

Tighten each screw securely starting with the center screw. Make sure the blade is straight. Repeat these steps for the remaining blades.



Align the holes from the blade holder to the holes from the motor, and secure the blade holder in place with screws and washers provided. Repeat this process to attach the other blades assemblies.

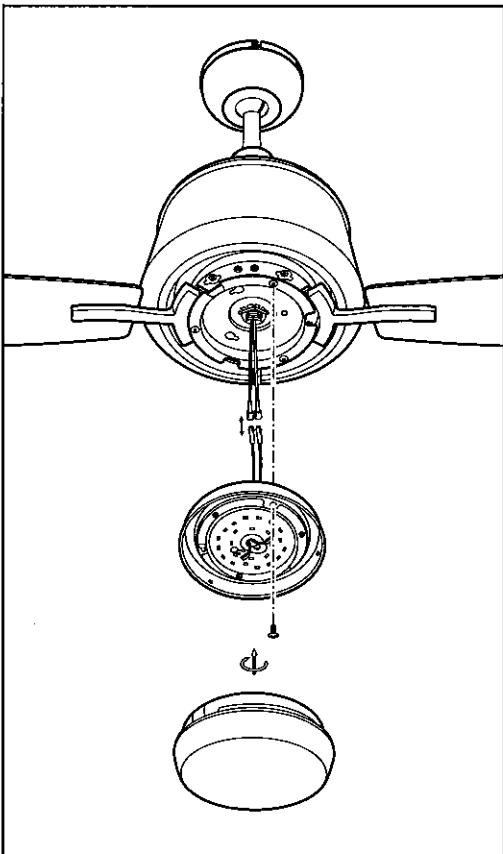
4. Attaching the light plate and LED light fitter and glass



Remove one of the three light plate screws from the mounting ring and loosen the other two screws. (Do not remove.)

Place the key holes in the light plate over the two screws previously loosened from the mounting ring. Turn the light plate until the light plate locks in place at the narrow section of the key holes.

Securely tighten the two light plate screws previously loosened and the one previously removed.



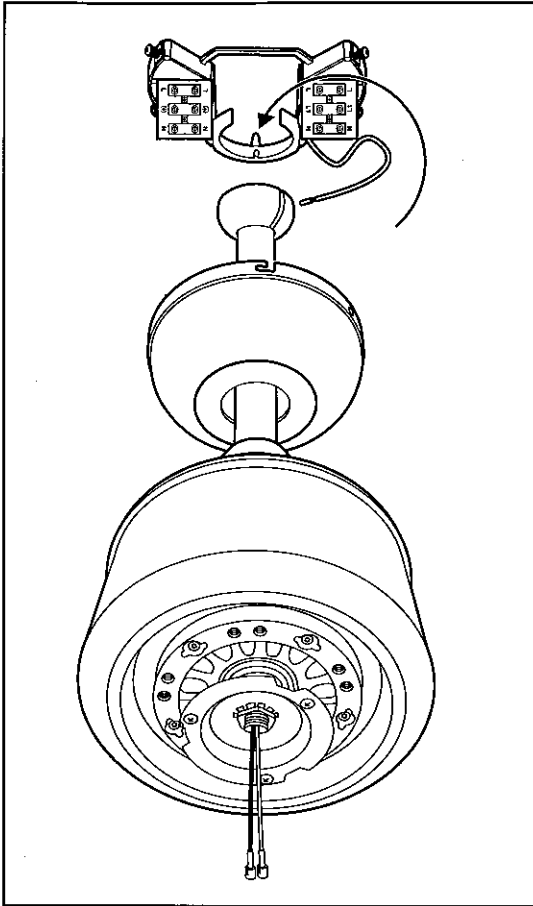
Remove one of the three light fitter screws from the light plate and loosen the other two screws. (Do not remove.)

While holding the LED light fitter under the fan motor assembly, Make the push connector connections:

- White to white
- Black to black

Place the key holes in the LED light fitter over the two mounting screws previously loosened from the light plate. Turn the LED light fitter until the LED light fitter locks in place at the narrow section of the key holes. Secure by tightening the two light fitter screws previously loosened and the one previously removed.

Raise the glass up against the LED light fitter and secure it to the fan by turning the shade clockwise until snug. **DO NOT OVERTIGHTEN.**



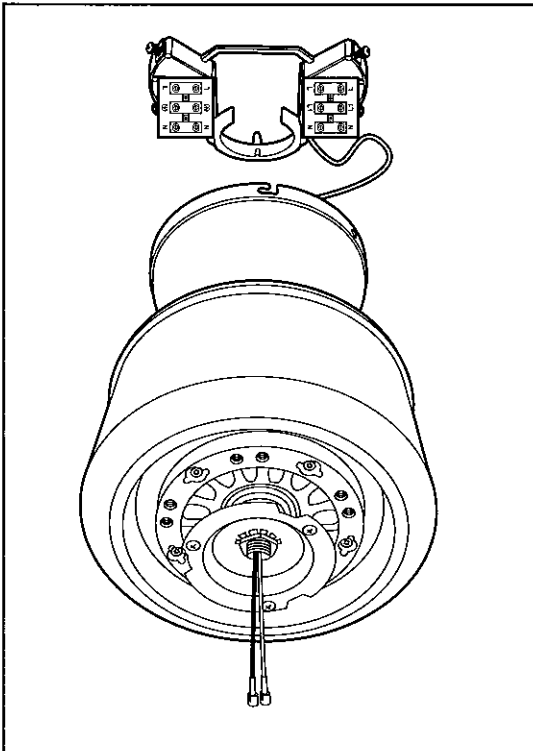
FOR DROP ROD STYLE OF FAN:

Lift the fan up to the hanger bracket, steer the ball in from the side of the bracket and lower it into the recess of the bracket.

Rotate the ball around until the groove in the side of the ball aligns with the protrusion on the upper edge of the recess. When aligned the fan should drop slightly as it assumes it's correct position.

This is to prevent rotation of the rod and fan when the unit is working.

REFER TO THE WIRING INSTRUCTIONS NEXT.



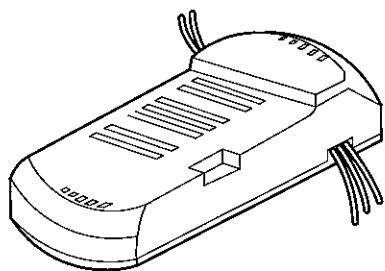
FOR FLUSH STYLE OF FAN:

Remove decorative plate screws from hanger bracket, hang the motor on hanging bracket with temporary support (a hook) for wiring connection. PLEASE TAKE CARE THAT THE FAN DOESN'T FALL

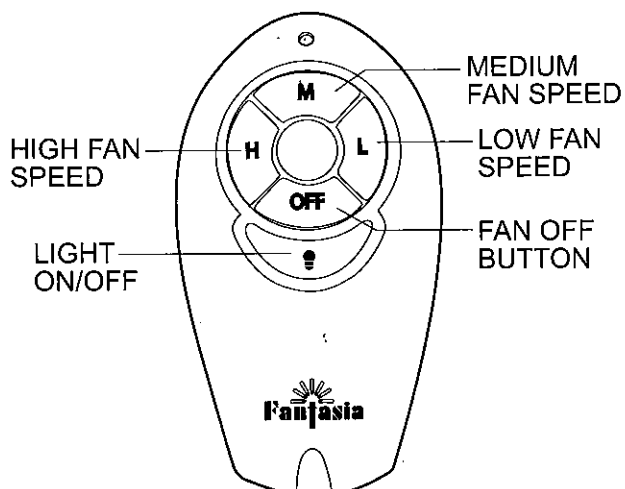
REFER TO THE WIRING INSTRUCTIONS NEXT.

5. Remote Control and Wiring Instructions

RECEIVER



TRANSMITTER

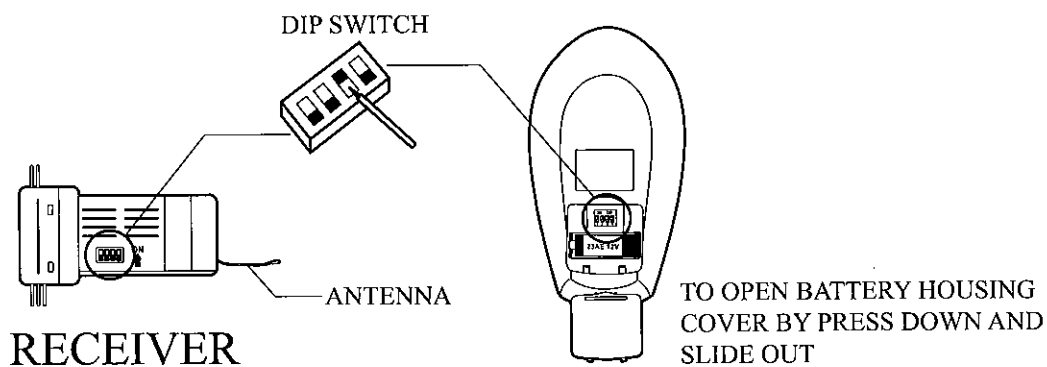


Warning: The power should have already been disconnected. Follow the steps below to connect the fan to your household wiring.

CODE SWITCH: The Hand Held Remote Control units included with your ceiling fan are equipped with 16 code combinations to prevent possible interference from or to other remote units. The frequency switches on your Receiver and Transmitter units have been preset at the factory. Please re-check to make sure the switches on both units are set to the same positions. The frequency settings should be changed only in case of interference or if a second or more remote controlled ceiling fans are installed in the same room. Any code combination will operate the ceiling fan and light as long as the Receiver and Transmitter units are set to the same codes.

Insert Receiver into Hanger Bracket with the flat side of the Receiver facing the ceiling.

Install 12V MN21/A23 battery (included).



Please refer to instruction of remote control for more information.

PLEASE NOTE :

Before installation ensure that the electricity supply is disconnected and that all wiring is carried out in accordance with I.E.E. Regulations, current good practice, national and local electrical codes. Improper installation may result in an electrical short and may void your warranty.

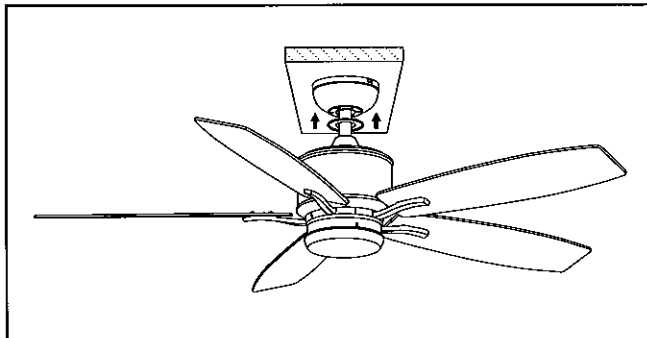
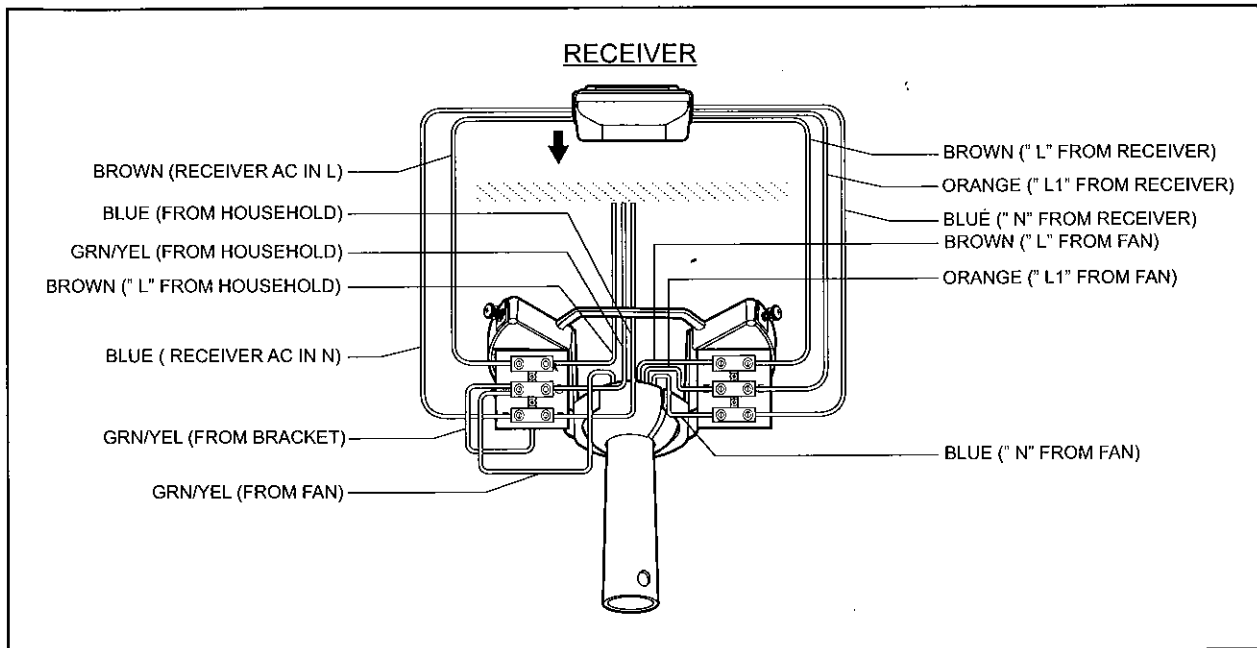
IMPORTANT : THIS APPLIANCE MUST BE EARTHED.

Put the receiver of remote control through hanger bracket (as picture).

Connect the A.C. power supply wire that come from the ceiling to the Brown and blue wire of receiver which is mark with label "L" & "N". In most cases, BROWN/RED wire is LIVE is connected to "L" BROWN wire, BLUE/BLACK wire is NEUTRAL is connected to "N" BLUE wire. GREEN/YELLOW wire is EARTH.

Connect the 4 lead wires coming from the fan housing with 4 wires coming from the other side of the remote control receiver where indicated sticker with brown, blue, orange block.

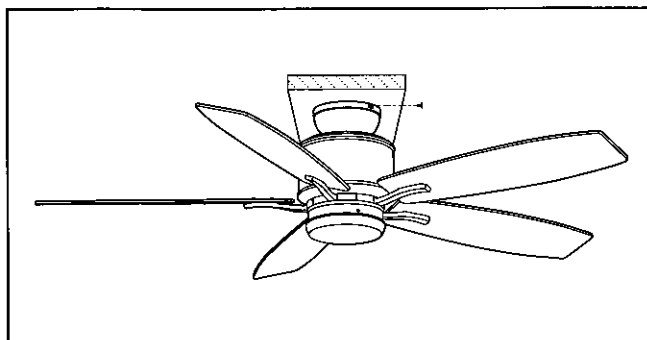
BROWN TO BROWN (Live wire of fan)
BLUE TO BLUE (Neutral wire of fan)
ORANGE TO ORANGE (Live wire of light)
GRN/YEL TO GRN/YEL (Earth wire)



FOR DROP ROD STYLE OF FAN:

Once the cables of the remote control and fan have been connected offer the canopy up to the hanging bracket, and insert the canopy decorative plate to canopy, using knurled nut to screw the plate tight. Tighten all the screws to ensure a good safe fixing.

It is important to fix the canopy properly as this offers another level of safety should anything happen to the hanging bracket.

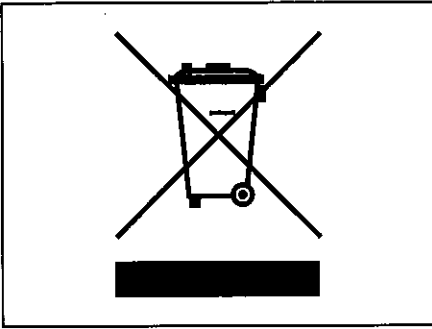


FOR FLUSH STYLE OF FAN:

Once the cables of the fan have been connected offer the canopy up to the hanging bracket. Tighten all the screws to ensure a good safe fixing.

It is important to fix the canopy properly as this offers another level of safety should anything happen to the hanging bracket.

▪ Product Disposal Instructions



This product has been classed as Electrical or Electronic Equipment and should not be disposed of with other household or commercial waste at the end of its working life.

The Waste of Electrical and Electronic Equipment (WEEE) Directive (2002/96/EC) has been put in place to recycle products using best available precise and minimize the impact upon the environment.

▪ Operating instructions

Having checked that all electrical connections are securely made and insulated, turn on the power and check the operation of the fan.

The slide switch on the other side of the housing changes the direction of rotation of the blades. (Remember to let the fan slow to a complete stop before changing the direction of rotation). When looking up at the fan blades, anti-clockwise rotation achieves a downward flow of air and clockwise rotation achieves an upward movement of air.

Summer operation – In warm weather a downward movement of air is more desirable as this achieves a greater cooling effect.

Winter operation – In winter a movement of air moving upwards and then back down the sides of the room achieves a more balanced temperature throughout the room.

If a wall control or remote control system has been used refer to the accompanying leaflets enclosed in these systems.

▪ Blade balancing

Whilst every precaution is taken at the factory to ensure your fan is of the highest quality, imbalance may occur. This may be due to slight irregularities in the blades or blade carriers. Deviating from these instructions can cause further problems.

The following procedure may help to rectify the situation.

The hanging bracket must always be tight against the ceiling so that no movement can occur. Make sure that the rod is firmly locked into the boss on top of the fan. The locking screw should be securely tightened.

Check all the blades are firmly tightened on to their fixings.

Blade tracking can easily be checked by holding a yardstick or similar measure vertically from the ceiling to the tip of the blade. Then check all blades measure the same distance from that point. To correct slight problems re-check the screws that hold the blades onto the motor for tightness.

Changing over two adjacent blades – may correct any imbalance.

Use the universal balancing kit supplied with the fan.

Please note that drop rod styles of fans do have a slight level of movement but this is in no way dangerous.

▪ Care and cleaning

Ensure that checks of the fixings take place periodically. (see Safety Precaution 11)

Periodic cleaning of your new fan is recommended particularly the blades. The plated or painted surfaces of your fan have been sealed with a lacquer to minimize any discoloration or tarnishing. Therefore use a soft brush or lint free cloth to avoid scratching the surface.

The motor has permanently sealed bearings so no lubrication is necessary

Do not use water when cleaning you fan as this could damage the surfaces of the casing and the blades and may create the possibility of a electric shock.

Ceiling Fan Warranty.

You must have the original purchase receipt or bill of sale to make a warranty claim. No claim will be accepted unless proof of date of purchase is available at the time of making the warranty claim.

Ceiling Fan Warranty Period.

The ceiling fan itself, excluding accessories such as the Remote Control Transmitter and Receiver, is covered by a 15 year warranty. During this period, Fantasia Distribution Ltd will, at its discretion, repair or replace defective product. During this 15 years, the owner is responsible for labour costs incurred in removing and re-installing the fan, and for transport costs to Fantasia Distribution Ltd's repair centre. Return freight will be paid by Fantasia Distribution Ltd. The cost of obtaining or using special access equipment (scissor lifts, scaffolding etc.) is specifically excluded, and it is the responsibility of the owner to provide such equipment and have it safely installed and operated.

Remote Control Warranty Period.

Fantasia Distribution Ltd's Remote Control Receivers and Transmitters (Handsets) are covered by a 2 year repair or replacement warranty

Balance of Warranty on Repaired or Replaced Products.

Any replaced or repaired product is covered only by the balance of the warranty remaining on the original article.

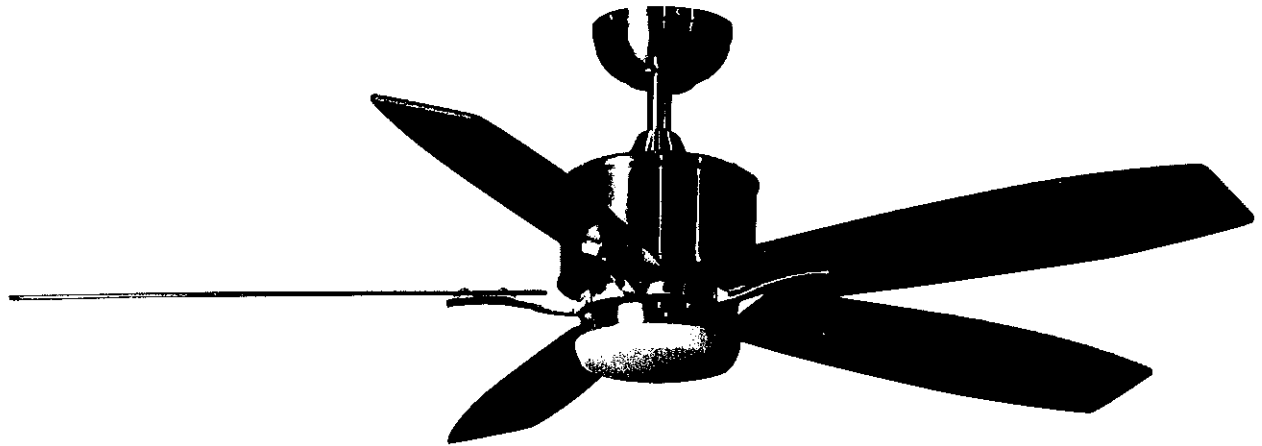
Transfer of Warranty.

If the dwelling where the fan or remote control is installed changes hands, the balance of the warranty passes to the new owner, providing the original bill of sale for the product is retained by the new owner.

Warranty for the fan does not cover damage to the fan if it is moved from one dwelling to another during the warranty period. The warranty is voided in total if the product is sold as second hand goods.

The following is NOT covered by warranty.

1. Any damage incurred after delivery to the owner that is not caused by a fault in the products materials or workmanship; damage from lightning or power surges; incorrect installation; damage due to incorrect installation; water damage of any kind; installation or use outdoors; damage arising from connection to or use with alternative power systems (e.g. inverters, solar, etc.).
2. Ceiling fans not installed by a qualified electrician.
3. Repair of a ceiling fan used incorrectly, accidentally damaged, modified in any way or not serviced in accordance with the maintenance instructions.
4. The cost of transporting and insuring the ceiling fan between the nearest Fantasia Distribution Ltd agents' service depot and its normal location. These costs must be met by the purchaser.
5. Subject to any statutory provisions to the contrary, claims for damage to furniture, carpet, walls, ceilings, foundations or any other consequential loss either directly or indirectly resulting from a faulty ceiling fan.
6. The Ceiling Fans not purchased and installed in Mainland UK.
7. A service fee will be charged where; there is nothing wrong with the ceiling fan or; the defective operation of the ceiling fan is due to failure of electricity or; the installation is not in accordance with Fantasia Distribution Ltd instructions and/or applicable local regulations or; the defects have been caused by incorrect application or abuse of the ceiling fan or; the damage has been caused by unauthorized persons attempting to repair the fan.



52"/132cm

Prima

FANTASIA DISTRIBUTION LTD.

Unit B. The Flyers Way, Westerham, Kent, TN16 1DE

Tel : (01959) 564 440 Fax : (01959) 564 829

E-MAIL: info@fantasiaceilingfans.com

Fantasia ceiling fans - Warranty Activation Form

To activate your warranty please complete this form, and post it back to us at Fantasia

Name.....

Address.....

Town.....

Post Code.....

Email.....

Purchased from.....

Date Installed.....

Please tick this box if you would like to receive updates on:

The Fantasia Elite Range

The Fantasia Standard Range

1. How did you first hear about Fantasia Ceiling Fans?

Shop Display

Brochure

Friend's Recommendation

Web Search

Other.....

2. In which room is your fan installed?

.....

3. What do you think would be a good name for a ceiling fan?

.....

*£50 to the owner of any suggestions used!

4. Do you consider a ceiling fan to be a good alternative to air conditioning?

Yes

No

5. Do you intend to use the reverse function of your ceiling fan in Winter?

Yes

No

6. What do you like most about Fantasia Ceiling Fans?

.....

Thank you for answering these questions.
Your answers will help us excel in customer service and product development

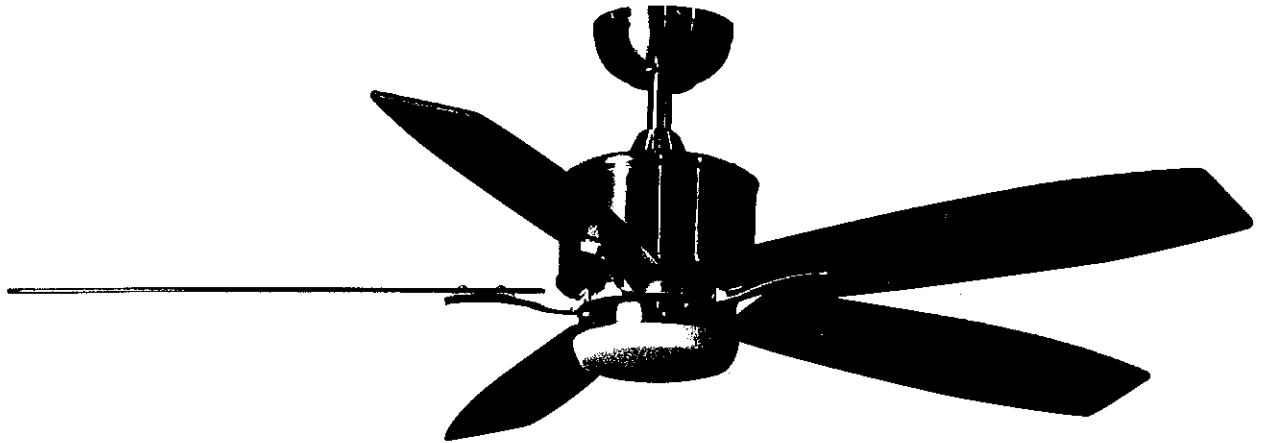
I have read the terms of the warranty and agree to adhere to them

Print.....

Signed.....

Date.....





52"/132cm

Prima

Please cut out this warranty page and send it in an envelope to the address below.

Alternatively please go to our website www.fantasiaceilingfans.com and fill in the warranty section there.

FANTASIA DISTRIBUTION LTD.
Unit B. The Flyers Way, Westerham, Kent, TN16 1DE
Tel : (01959) 564 440 Fax : (01959) 564 829
E-MAIL: info@fantasiaceilingfans.com