



**OWNERS INSTRUCTION
MANUAL**

**Viper Plus
With LED**

- **INSTALLATION**
- **OPERATION**
- **MAINTENANCE**

CAUTION

**READ INSTRUCTIONS CAREFULLY FOR SAFE
INSTALLATION AND FAN OPERATION. IF UNSURE
CONSULT A QUALIFIED ELECTRICIAN**

SUITABLE FOR 230V/50 CYCLE ELECTRICAL SUPPLY
Enquiries on installing your fan please call our help line on

01959-564440

E-mail : technical@fantasiaceilingfans.com

Safety Precautions

1. To ensure the success of the installation be sure to read the instructions and study the diagrams thoroughly before commencing.
2. All electrical work should only be undertaken after disconnection of the power by removing fuses or turning off the circuit breaker to ensure all pole isolation of the electrical supply. If you are in any doubt the services of a qualified electrician should be sought to ensure that all work is carried out in accordance with the I.E.E. Regulations, current good practice and other national and local electrical codes.
3. Make sure that your installation site will not allow the rotating fan blades to come into contact with any object and that there is a minimum clearance of 150mm (6") from the blade tip to the wall or ceiling. Please note that the bigger this clearance is the better the airflow from your fan will be. Ensure the blades are mounted at a minimum height of 2.3 meters (7'6") from the floor when the fan is installed.
4. The fixing point for the fan must be able to support a weight of ten times that of the net weight of the fan. Net weights can be found on the bottom of the unit's box. If you are mounting the fan to a ceiling junction box, the box and it's fixing must be able to support the moving weight of the fan and must not twist or work loose.
5. The fan must be earthed.
6. Do not connect the fan motor to a dimmer switch. This may give an unsatisfactory performance (motor hum) and cause damage to the motor.
7. It is not recommended that ceiling fans and gas appliances are operated in the same room at the same time.
8. The fan must be in motion when the reverse button on the handset is pressed to change the direction of the fan blades.
9. Do not insert anything into the fan blades while the fan is operating. This will damage the blades and upset the balance of the unit causing the unit to wobble.
10. After the fan is completely installed make sure that all connections are secure and tight to prevent any problems.
11. Because of the fan's natural movement, some connections may loosen. Check the support connections, brackets and blade attachments twice a year to make sure they are all secure. If they are loose tighten with a screwdriver. (It is not necessary to take the fan down from the ceiling)

Note : The important safeguards and instructions given in this manual are not meant to cover all possible conditions and situations that may occur. It must be understood that common sense, caution and care are factors which cannot be built into any product. These factors must be supplied by the persons caring for and using the unit.

For installation advice, or in the unlikely event of damaged or missing parts please ring:

HELPLINE : 01959 564440
E-mail : technical@fantasiaceilingfans.com

Supplied Parts

- One fan motor assembly
- One hanger bracket fitted with terminal block and top rubber washers.
- One 6" drop rod & top & bottom canopy
- One set of blades
- One screw-pack with balancing kit
- One installation booklet
- Remote control set
- One LED light fitter
- One glass shade

Tools and Materials Required

- Philips screwdriver
- Blade screwdriver
- Small electrical screwdriver
- Electrical pliers
- Step ladder
- Wiring supplies as required by current electrical practice
- In-line crimps or other suitable connectors if an extension rod in excess of 760mm (30") is to be fitted.

Before starting the assembly and installation of your fan please ensure the safety precautions have been read and understood.

If you have any difficulty in installing your fan/light or if you are unfortunate enough to find that your fan has been dispatched with parts missing or damaged please contact our help-line on (01959 564440). We will be very pleased to provide help or forward replacements parts to you immediately.

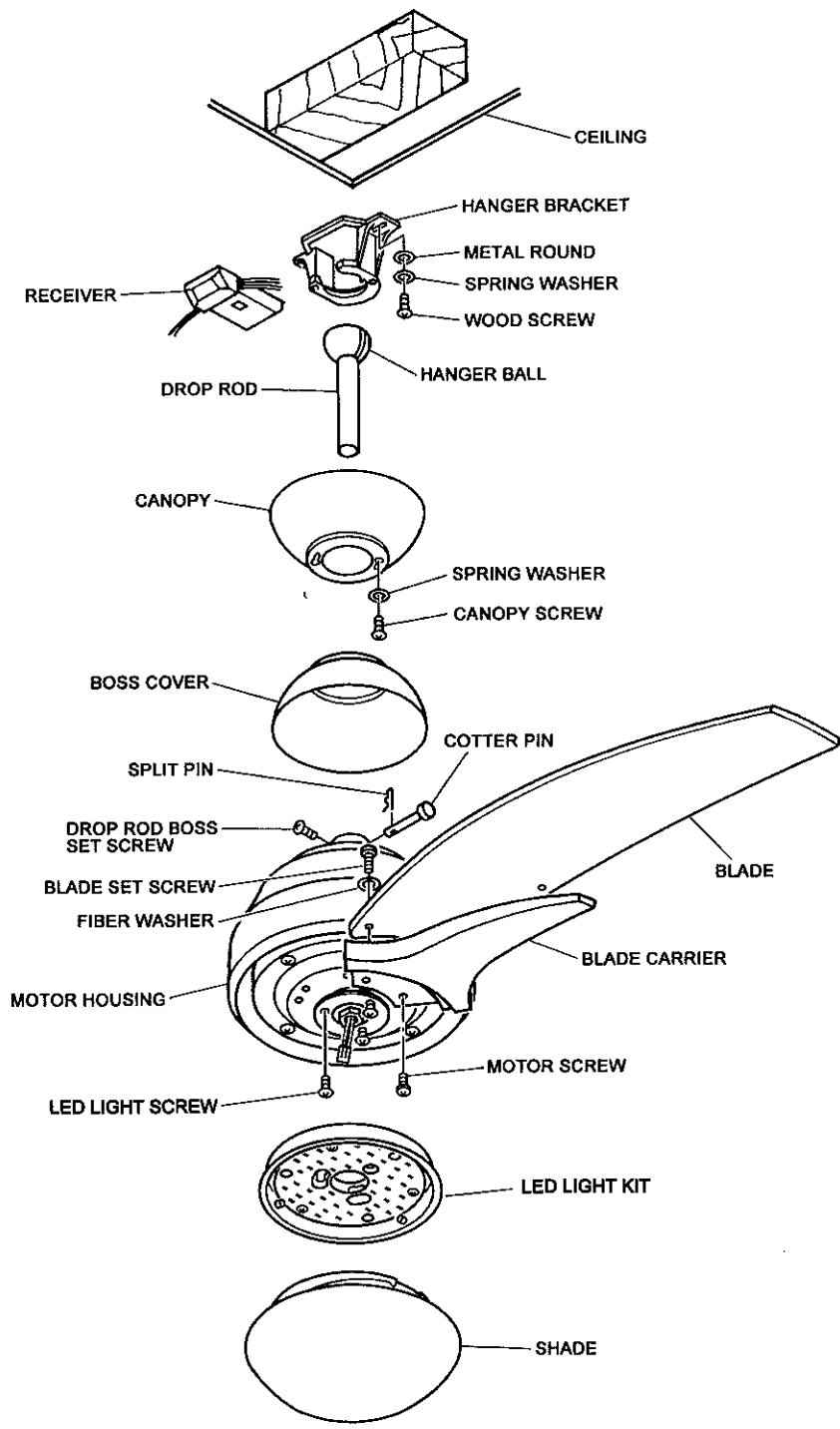
In any communication with us please quote model reference, colour of the unit and the part missing or damaged.

HELPLINE

01959 564440

E-mail : technical@fantasiaceilingfans.com

Parts names and their relative positions

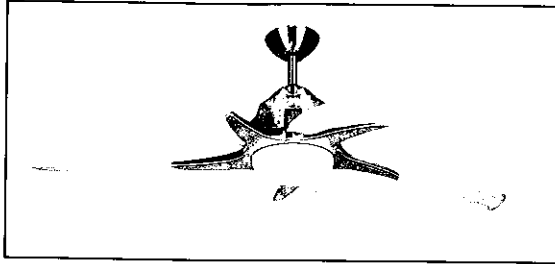


(CS) 54CSC-B

Installing the fan

All electrical work should only be undertaken after disconnection of the power by removing fuses or turning off the circuit breaker to ensure all poles isolation of the electrical supply.

Your fan is a drop rod style of fan. (Picture A) In this situation the drop rod assembly is used to lower the fan down from its mounting position slightly. Extension rods, ranging from 12" to 72", are available if you need to lower your fan further. (This is normally the case in conservatories or rooms with very high ceilings.)

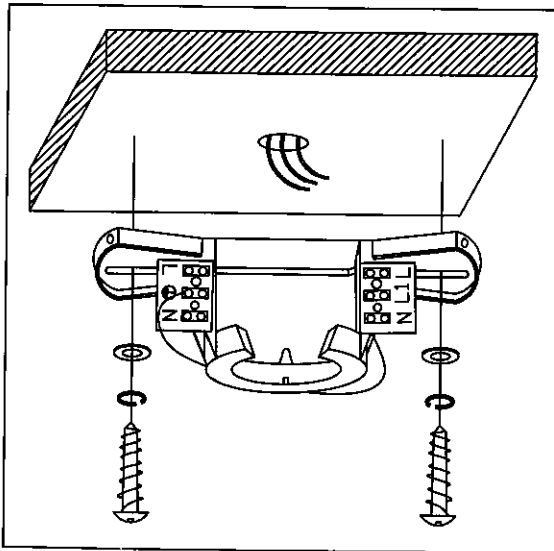


Picture A

The following steps will guide you to a successful installation:

1. Hanger bracket installation
2. Drop rod assembly
3. Assembling the blades
4. Installing light bulb and glass

1. Hanger bracket installation

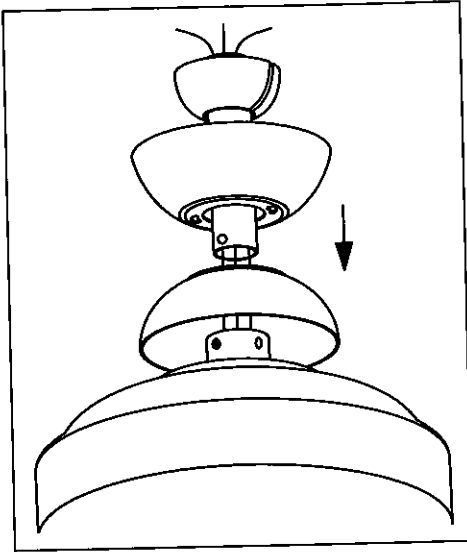


The hanger bracket should be screwed on to a firm flat surface. The fixing location must be able to withstand ten times the static weight of the fan. If you have any doubts as to the ability of your intended fixing location to be able to withstand this loading. Please contact our service help-line or another competent authority to advise you. In most situation two wood screws screwed into a wooden joist is more than adequate to support your ceiling fan.

The hanger bracket should be screwed onto the joist with the two wood screws provided. The washers provided should go in the following sequence:

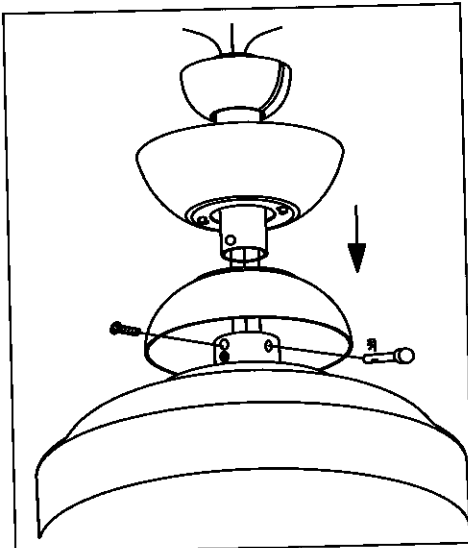
Screw head > round washer > spring washer > Hanger bracket > Ceiling. Screw the hanger bracket to the ceiling and make sure all connections are secure to prevent the fan from falling. Fixings must screw into a joist and not just the plasterboard. Loosen the two canopy screws from the hanger bracket.

2. Drop rod assembly



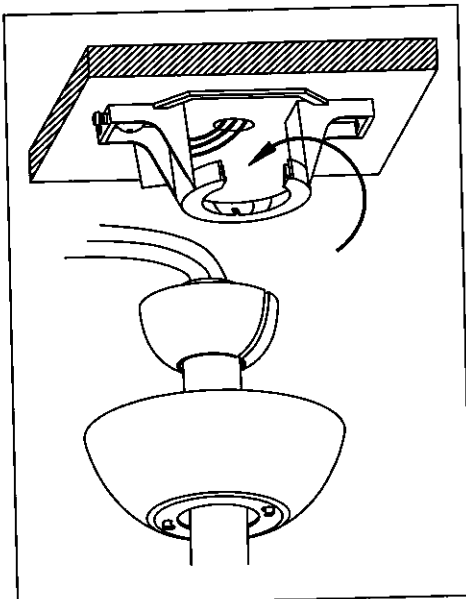
Remove the cotter pin and clevis pin from the bottom of the drop rod. If a longer drop rod is going to be used transfer the ball joint and the earth wire to the longer rod.

Put the drop rod through the canopies and pass the electrical supply leads from the top of the motor through the drop rod until they exit at the top of the ball joint. Always ensure the rod passes through the canopy and bottom canopy before the rod is connected to the fan. If an extension rod longer than 30 inches is to be used, the cables will need to be extended in an appropriate way.



Loosen the drop rod set screws on the boss, which is on top of the motor and insert the drop rod into the drop rod boss on top of the motor casing. Turn gently to align the holes in the boss with those in the rod. Ease the cotter pin through the boss and the rod taking care not to pinch or damage any cables. Fix in place by replacing the split pin. Tighten all set screws at this point. This prevents the rod and the fan moving in relation to one and other. It also assists in maintaining a good earth continuity through the fan, which is important to the safety of the unit.

Failure to tighten the locking screws down may cause the motor to oscillate badly.



Once the drop rod assembly has been fitted-

Lift the fan up to the hanger bracket, steer the ball in from the side of the bracket and lower it into the recess of the bracket.

Rotate the ball around until the groove in the side of the ball aligns with the protrusion on the upper edge of the recess. When aligned the fan should drop slightly as it assumes its correct position. This is to prevent rotation of the rod and fan when the unit is working.

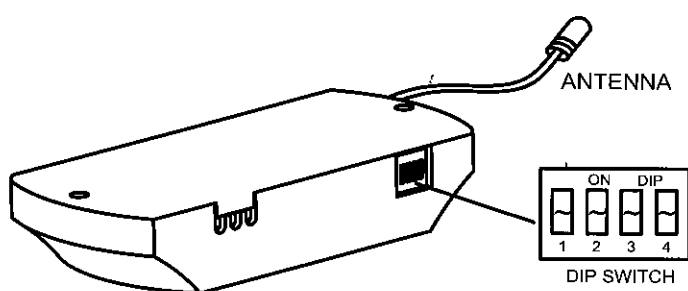
Connect the wiring as shown following step

3. Remote control and Wiring instructions

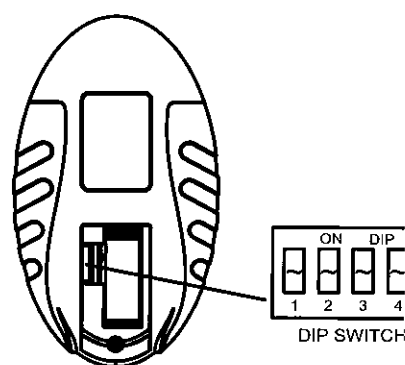
WIRING INSTRUCTIONS : Before doing wiring, ensure that you have all pole disconnection of the electricity supply.

Your fan is supplied with a radio frequency remote control unit, and the fan does not have a pull switch for speed control, the fan can only be controlled by remote control. You can find the unit in the box. Before connecting the wiring, please set up the code of remote control.

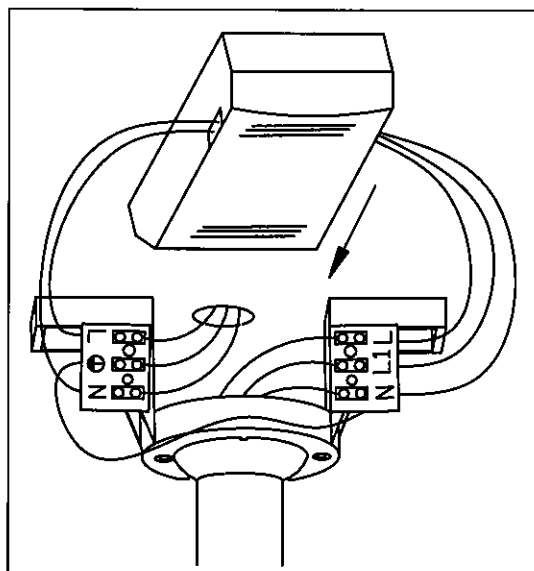
CODE SWITCH: Codes are set by pushing dip switches up or down. It is imperative that the code used for both transmitter and receiver is exactly the same, otherwise the remote control will not work. Please note the code switch will enable you to operate a second remote controller independently. For example, if you have two ceiling fans with 2 remote control units, set 2 different codes for each set of transmitter/receivers. This means you can operate each ceiling fan independently. Please see following drawing.



RECEIVER



RECEIVER OF
TRANSMITTER



Put the receiver of remote control through hanger bracket (as picture).

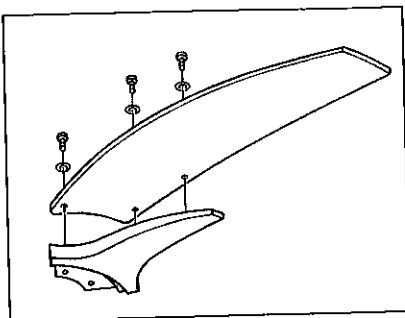
Connect the A.C. power supply wire that come from the ceiling to the Brown and blue wire of receiver which is mark with label "L" & "N".

Connect the 4 lead wires coming from the fan housing with 4 wires coming from the other side of the remote control receiver where indicated sticker with brown, blue, orange block.

BRN TO BROWN (Live wire of fan)
BLUE TO BLUE (Neutral wire of fan)
ORG TO ORANGE (Live wire of light)
GRN/YEL TO GRN/YEL (Earth wire)

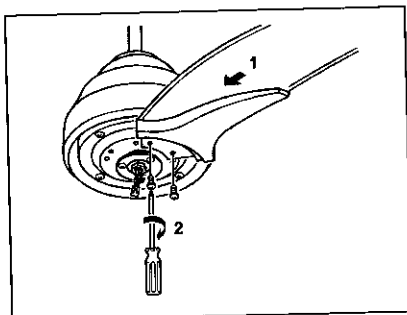
IMPORTANT : THIS APPLIANCE MUST BE EARTHED.

4. Assembled blades



Carefully unwrap the blade and put the blade onto blade carrier. Align the blade with the holes on the blade carrier. Use the screws and fibre washers provided to connect them.

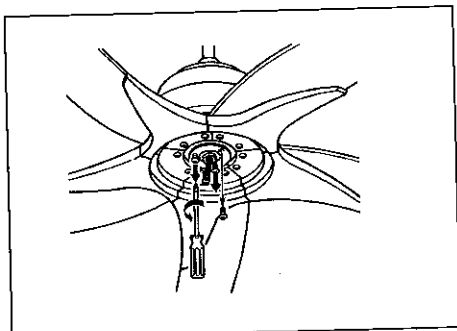
The rubber round washer should go on top the blade between the head of the screw and the surface of the blade. Ensure the screws are tightened up firmly. Repeat this process for all blades.



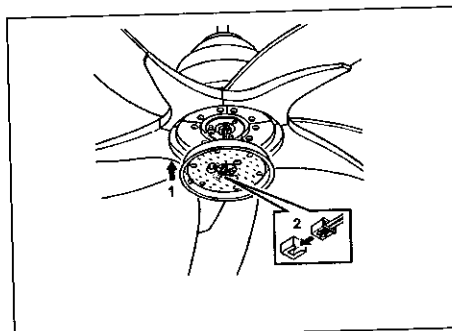
Putting the blade carrier on the surface of motor. Using the motor screw and the spring washers provided, bolt the blade carrier bracket onto the motor. Ensure the bolts are tightened firmly.

Be careful not to bend the blades or the carrier brackets during installation as this may result in an imbalance and induce wobble.

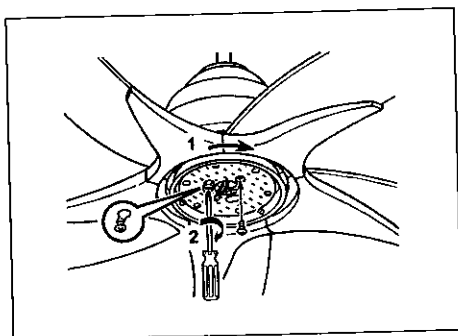
5. install LED light fitting & shade



Release the 3 screws of light kit base from fan, please see the picture.



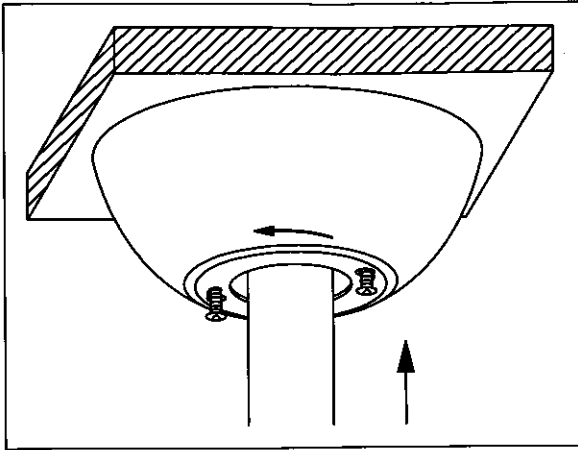
Connect the push plug of fan to the push plug on the LED array.



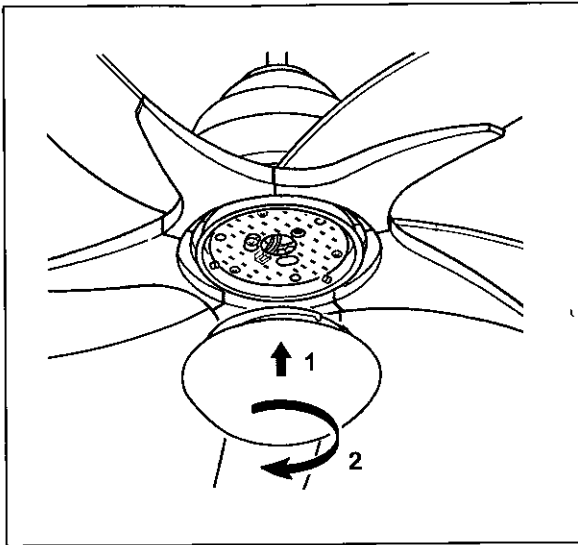
Put the LED light fitter onto the light base of fan, using the 3 release screws to screw tight the light fitter. Please make sure it is tightened enough.

Your fan is supplied with a 20W LED light

Now is a good time to test that the fan operates correctly. Turn on the power and use the transmitter to Control your fan, checking the fan speeds and light kit are worked properly. Please see page 10 for remote control function details.



Please lift the canopy up to hanger bracket carefully put all wires into the canopy and don't bend or break the wire. Use the canopy set screw to screw it firmly.



Put the shade into the light fitter and twist it tight. Ensure the shade is tightened firmly, the shade will drop off and break if not installed properly.

Now, your fan installation is complete.

Operating instructions

Having checked that all electrical connections are securely made and insulated, turn on the power and check the operation of the fan. Use the remote control to change the speed High-Medium-Low and off.

When looking up at the fan blades, anti-clockwise rotation achieves a downward flow of air and clockwise rotation achieves an upward movement of air.

You can change rotation direction of blade by remote control.

Summer operation – In warm weather a downward movement of air is more desirable as this achieves a greater cooling effect.

Winter operation – In winter a movement of air moving upwards and then back down the sides of the room achieves a more balanced temperature throughout the room.

Blade balancing

Whilst every precaution is taken at the factory to ensure your fan is of the highest quality, imbalance may occur. This may be due to slight irregularities in the blades or blade carriers. Further problems can be caused by deviating from these instructions.

The following procedure may help to rectify the situation.

The hanger bracket must always be tight against the ceiling so that no movement can occur.

Make sure that the rod is firmly locked into the boss on top of the fan. The locking screw should be securely tightened.

Check all the blades are firmly tightened onto motor

Blade tracking can easily be checked by holding a yardstick or similar measure vertically from the ceiling to the tip of the blade. Then check all blades measure the same distance from that point. To correct slight problems in the alignment of a blade, gently bend the carrier to bring it back in line.

Changing over two adjacent blades – may correct any imbalance.

Use the universal balancing kit supplied with the fan.

Please note that drop rod styles of fans do have a slight level of movement but it is in no way dangerous

Care and cleaning

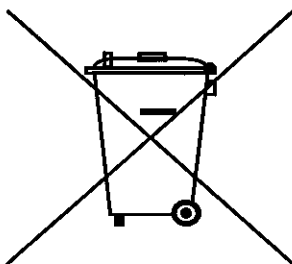
Ensure that periodic checks of the fixings takes place. (see Safety Precaution 9)

Periodic cleaning of your new Fantasia fan is recommended particularly the blades. The plated or painted surfaces of your fan have been sealed with a lacquer to minimize any discoloration or tarnishing. Therefore use a soft brush or lint free cloth to avoid scratching the surface.

The motor has permanently sealed bearings so no lubrication is necessary

Do not use water when cleaning you fan as this could damage the surfaces of the casing and the blades and may create the possibility of a electric shock.

Product Disposal Instructions



This product has been classed as Electrical or Electronic Equipment and should not be disposed of with other household or commercial waste at the end of its working life.

The Waste of Electrical and Electronic Equipment (WEEE) Directive (2002/96/EC) has been put in place to recycle products using best available practice and minimize the impact upon the environment.

HOW TO OPERATE THE HANDSET (TRANSMITTER) FOR VIPER PLUS

The wireless remote control is designed to control all commonly used features.

LIGHT CONTROL BUTTON

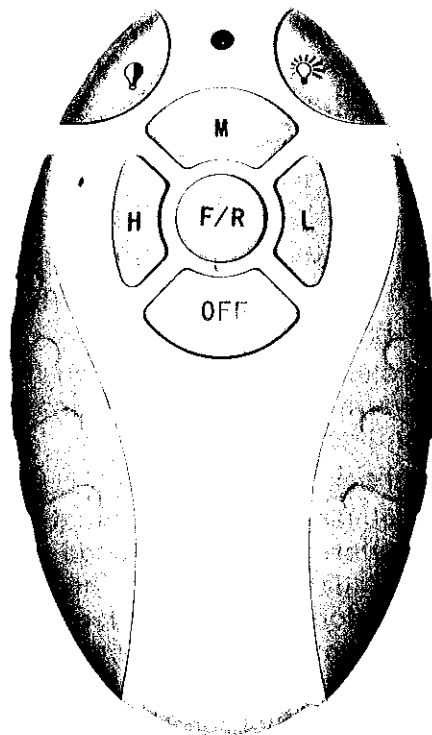
LIGHT :



Turn Light ON/OFF-
Press this button and
release instantly to
turn on and off fan
light



Dimmer the light—
Press this button
and hold to dim or
brighten lights to the
desired level and
release.



FAN CONTROL BUTTON

FAN :

H---- Turn on ceiling fan at
HIGH speed.

M---- Turn on ceiling fan at
MEDIUM speed.

L ---- Turn on ceiling fan at
LOW speed.

F/R----Push the button will
change airflow
direction of fan.
F---airflow downward
R---airflow upward
Fan must be in motion
when button is pressed

OFF--- Turn on ceiling fan
power off.

Battery Replacement:
Evereadx-A23
Duracell-MS21/MN21
Varta-V23GA
Gp-23A

NOTE :

1. The fan must be in motion when the reverse button on the handset is pressed to change the direction of the fan blades.
2. Please allow a moment between each operation.
3. Please handle the transmitter with care, be sure not to drop or expose it to water, high humidity or place where is too close to a heating element. Improper handling may result in malfunction and void the warranty.
4. The remote control is operated by Radio Frequency, so, it won't be necessary to point this unit at the ceiling fan while activating the handset functional button.

Ceiling Fan Warranty.

You must have the original purchase receipt or bill of sale to make a warranty claim. No claim will be accepted unless proof of date of purchase is available at the time of making the warranty claim.

Ceiling Fan Warranty Period.

The ceiling fan itself, excluding accessories such as the Remote Control Transmitter and Receiver, is covered by a 15 year warranty for indoor use. During this period, Fantasia Distribution Ltd will, at its discretion, repair or replace defective product. During this period, the owner is responsible for labour costs incurred in removing and re-installing the fan, and for transport costs to Fantasia Distribution Ltd's repair centre. Return freight will be paid by Fantasia Distribution Ltd. The cost of obtaining or using special access equipment (scissor lifts, scaffolding etc.) is specifically excluded, and it is the responsibility of the owner to provide such equipment and have it safely installed and operated.

Remote Control Warranty Period.

Fantasia Distribution Ltd's Remote Control Receivers and Transmitters (Handsets) are covered by a 2 year repair or replacement warranty

Balance of Warranty on Repaired or Replaced Products.

Any replaced or repaired product is covered only by the balance of the warranty remaining on the original article.

Transfer of Warranty.

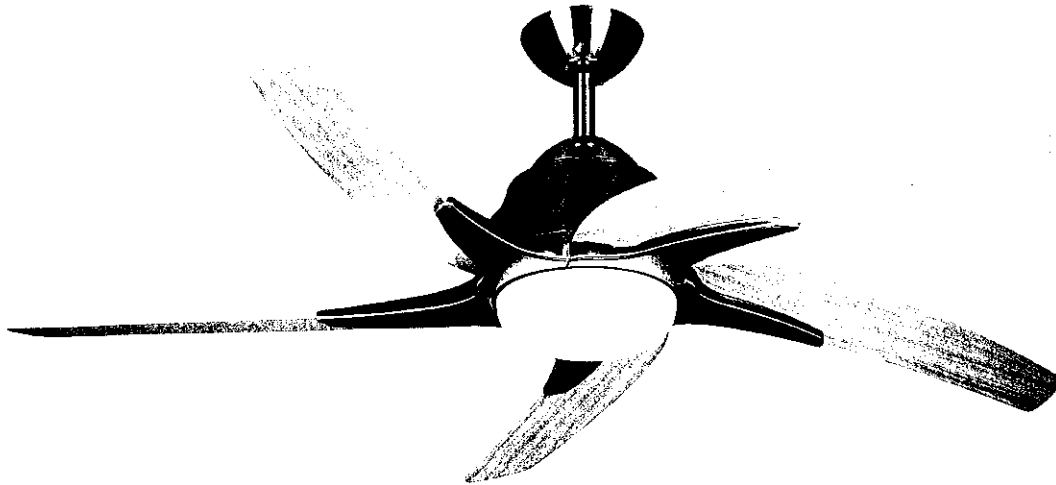
If the dwelling where the fan or remote control is installed changes hands, the balance of the warranty passes to the new owner, providing the original bill of sale for the product is retained by the new owner.

Warranty for the fan does not cover damage to the fan if it is moved from one dwelling to another during the warranty period. The warranty is voided in total if the product is sold as second hand goods.

The following is NOT covered by warranty.

1. Any damage incurred after delivery to the owner that is not caused by a fault in the products materials or workmanship; damage from lightning or power surges; incorrect installation; damage due to incorrect installation; water damage of any kind; installation or use outdoors; damage arising from connection to or use with alternative power systems (e.g. inverters, solar, etc.).
2. Ceiling fans not installed by a qualified electrician.
3. Repair of a ceiling fan used incorrectly, accidentally damaged, modified in any way or not serviced in accordance with the maintenance instructions.
4. The cost of transporting and insuring the ceiling fan between the nearest Fantasia Distribution Ltd agents' service depot and its normal location. These costs must be met by the purchaser
5. Subject to any statutory provisions to the contrary, claims for damage to furniture, carpet, walls, ceilings, foundations or any other consequential loss either directly or indirectly resulting from a faulty ceiling fan.
6. Fans not purchased and installed in Mainland UK.
7. A service fee will be charged where; there is nothing wrong with the ceiling fan or; the defective operation of the ceiling fan is due to failure of electricity or; the installation is not in accordance with Fantasia Distribution Ltd instructions and/or applicable local regulations or; the defects have been caused by incorrect application or abuse of the ceiling fan or; the damage has been caused by unauthorised persons attempting to repair the fan.

-----NOTES-----



Viper Plus With LED

FANTASIA DISTRIBUTION LTD.

Unit B. The Flyers Way, Westerham, Kent, TN16 1DE

Tel : (01959) 564 440 Fax : (01959) 564 829

E-MAIL: info@fantasiaceilingfans.com

CSA17030201

Fantasia ceiling fans - Warranty Activation Form

To activate your warranty please complete this form, and post it back to us at Fantasia

Name.....

Address.....

Town.....

Post Code.....

Email.....

Purchased from.....

Date Installed.....

Please tick this box if you would like to receive updates on:

The Fantasia Elite Range

The Fantasia Standard Range

1. How did you first hear about Fantasia Ceiling Fans?

Shop Display
Brochure
Friend's Recommendation
Web Search
Other.....

2. In which room is your fan installed?

.....

3. What do you think would be a good name for a ceiling fan?

.....

*£50 to the owner of any suggestions used!

4. Do you consider a ceiling fan to be a good alternative to air conditioning?

Yes
No

5. Do you intend to use the reverse function of your ceiling fan in Winter?

Yes
No

6. What do you like most about Fantasia Ceiling Fans?

.....

Thank you for answering these questions.
Your answers will help us excel in customer service and product development

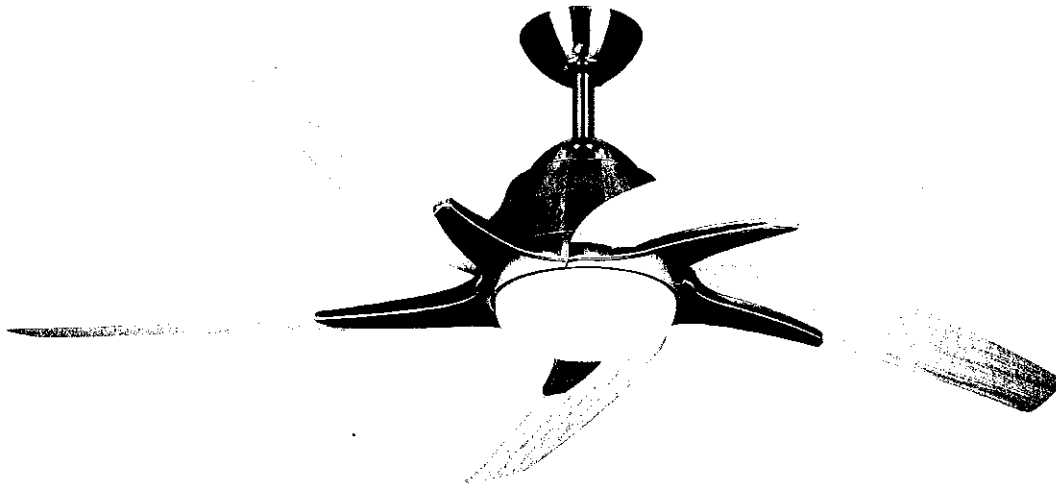
I have read the terms of the warranty and agree to adhere to them

Print.....

Signed.....

Date.....





Viper Plus With LED

Please cut out this warranty page and send it in an envelope to the address below.

Alternatively please go to our website
www.fantasiaceilingfans.com and fill in the warranty section there.

FANTASIA DISTRIBUTION LTD.
Unit B. The Flyers Way, Westerham, Kent, TN16 1DE
Tel : (01959) 564 440 Fax : (01959) 564 829
www.fantasiaceilingfans.com